



# POWER CHISEL

---

## INSTRUCTION MANUAL

PCH.FG.600.00  
PCH.FG.600.40



*Double Insulation used throughout,  
no provision for earthing.*

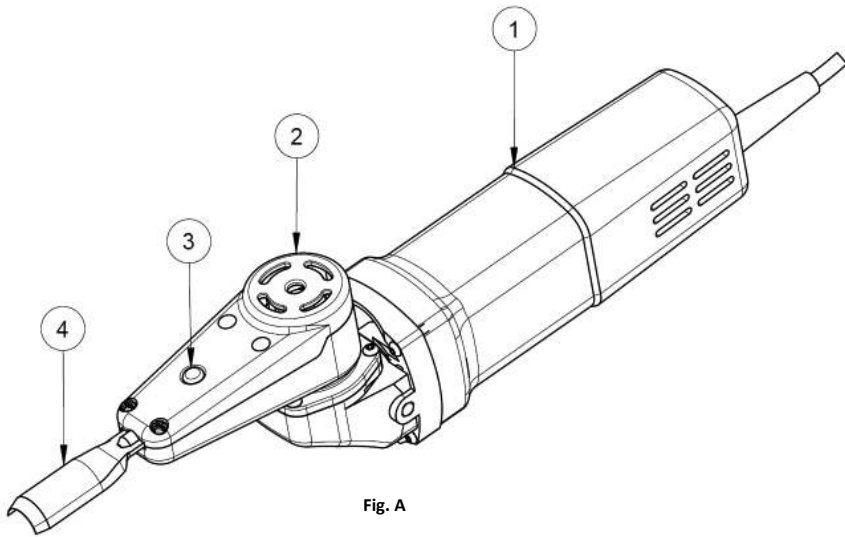


Fig. A

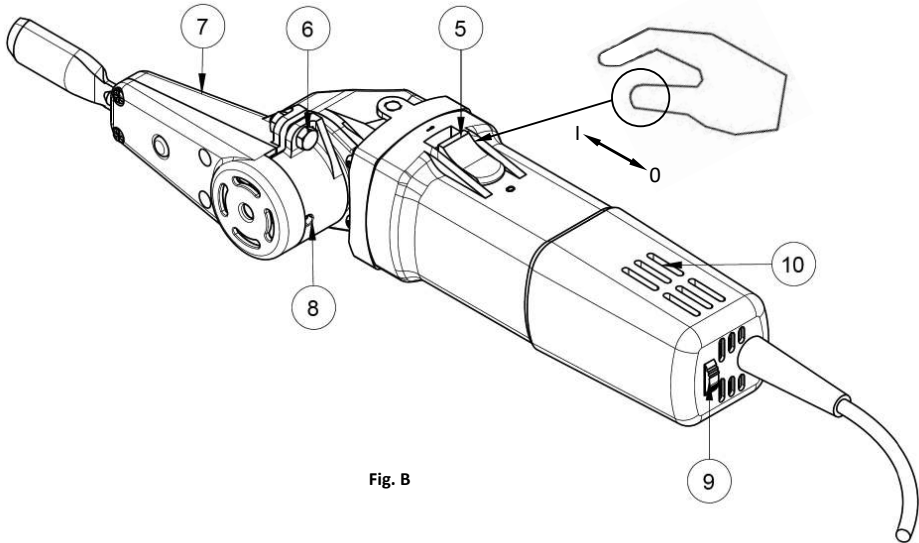


Fig. B

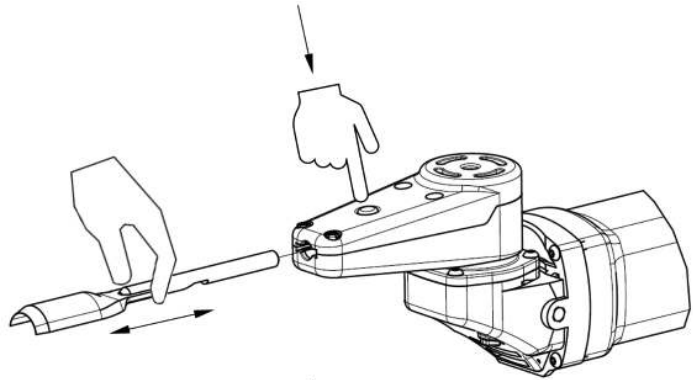


Fig. C

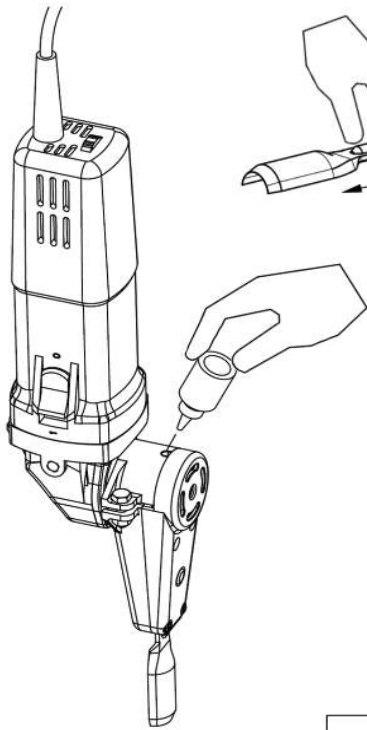


Fig. D

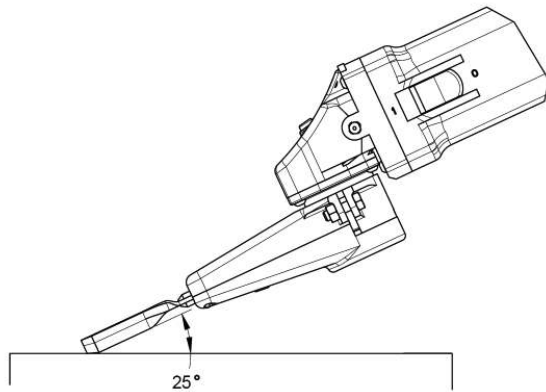


Fig. E

Components and features			
1	Angle Grinder Body	6	Clamping Bolt
2	Chisel Arm Cover	7	Chisel Arm Base
3	Chisel Locking Button	8	Oil Port
4	Chisel	9	Speed Setting Dial
5	On/Off Switch	10	Air Vent



## GENERAL POWER TOOL

### SAFETY WARNINGS

**⚠ WARNING:** Read all safety warnings, instructions, illustrations and specifications provided with this power tool. Failure to follow all instructions listed below may result in electric shock, fire and/or serious injury.

Save all warnings and instructions for future reference.

The term “power tool” in the warnings refers to your mains-operated (corded) power tool or battery operated (cordless) power tool.

#### 1) WORK AREA SAFETY

- a. **Keep work area well ventilated, clean and well lit.** Cluttered or dark areas invite accidents.
- b. **Do not operate power tools in explosive atmospheres, such as in the presence of flammable liquids, gases or dust.** Power tools create sparks which may ignite the dust or fumes.
- c. **Keep children and bystanders away while operating a power tool.** Distractions can cause you to lose control.

#### 2) ELECTRICAL SAFETY

- a. **Power tool plugs must match the outlet. Never modify the plug in any way. Do not use any adapter plugs with earthed (grounded) power tools.** Unmodified plugs and matching outlets will reduce the risk of electric shock.
- b. **Avoid body contact with earthed or grounded surfaces, such as pipes, radiators, ranges and refrigerators.** There is an increased risk of electric shock if your body is earthed or grounded.
- c. **Do not expose power tools to rain or wet conditions.** Water entering a power tool will increase the risk of electric shock.
- d. **Do not abuse the cord. Never use the cord for carrying, pulling or unplugging the power tool. Keep cord away from heat, oil, sharp edges or moving parts.** Damaged or entangled cords increase the risk of electric shock.
- e. **When operating a power tool outdoors, use an extension cord suitable for outdoor use.** Use of a cord suitable for outdoor use reduces the risk of electric shock.
- f. **If operating a power tool in a damp location is unavoidable, use a residual current device (RCD) protected supply.** Use of an RCD reduces the risk of electric shock.

#### 3) PERSONAL SAFETY

- a. **Stay alert, watch what you are doing and use common sense when operating a power tool. Do not use a power tool while you are tired or under the influence of drugs, alcohol or medication.** A moment of inattention while operating power tools may result in serious personal injury.
- b. **Use personal protective equipment. Always wear eye protection.** Protective equipment such as a dusk mask, non-skid safety shoes, hard hat or hearing protection

used for appropriate conditions will reduce personal injuries.

- c. **Prevent unintentional starting. Ensure the switch is in the off position before connecting the tool to a power source and/or battery pack, picking up or carrying the tool.** Carrying power tools with your finger on the switch or energising power tools that have the switch on invites accidents.
- d. **Remove any adjusting key or wrench before turning the power tool on.** A wrench or key left attached to a rotating part of the power tool may result in personal injury.
- e. **Do not overreach. Keep proper footing and balance at all times.** This enables better control of the power tool in unexpected situations.
- f. **Dress properly. Do not wear loose clothing or jewellery. Keep your hair and clothing away from moving parts.** Loose clothes, jewellery or long hair can be caught in moving parts.
- g. **If devices are provided for the connection of dust extraction and collection facilities, ensure these are connected and properly used.** Use of dust collection can reduce dust related hazards.
- h. **Do not let familiarity gained from frequent use of tools allow you to become complacent and ignore tool safety principles.** A careless action can cause severe injuries within a fraction of a second.

#### 4) POWER TOOL USE AND CARE

- a. **Do not force the power tool. Use the correct tool for your application.** The correct power tool will do the job better and safer at the rate for which it was designed.
- b. **Do not use the tool if the switch does not turn it on and off.** Any power tool that cannot be controlled with the switch is dangerous and must be repaired.
- c. **Disconnect the plug from the power source and/or remove the battery pack, if detachable, from the power tool before making any adjustments, changing accessories or storing power tools.** Such preventative safety measures reduce the risk of starting the power tool accidentally.
- d. **Store idle power tools out of the reach of children and do not allow persons unfamiliar with the power tool or these instructions to operate the power tool.** Power tools are dangerous in the hands of untrained users.
- e. **Maintain power tools and accessories. Check for misalignment or binding of moving parts, breakage of parts and any other condition that may affect the power tool's operation. If damaged, have the power tool repaired before use.** Many accidents are caused by poorly maintained power tools.
- f. **Keep cutting tools sharp and clean.** Properly maintained cutting tools with sharp edges are less likely to bind and are easier to control.
- g. **Use the power tool, accessories and tool bits etc. in accordance with these instructions, taking into account the working conditions and the work to be performed.** Use of the power tool for operations different from those intended could result in a hazardous situation.
- h. **Keep handles and grasping surfaces dry, clean and free from oil and grease.** Slippery handles and grasping

surfaces do not allow for safe handling and control of the tool in unexpected situations.

## 5) SERVICE

- a. **Have your power tool serviced by a qualified repair person using only identical replacement parts.** This will ensure that the safety of the power tool is maintained.

## ADDITIONAL SAFETY WARNINGS



**Wear hearing protection; Wear eye protection; Wear dust mask; Wear protective gloves.**

## PRODUCT DESCRIPTION AND SPECIFICATIONS

### Read instruction manual before using the tool

Read all safety warnings and all instructions. Failure to follow the warnings and instructions may result in electric shock, fire and/or serious injury.

### INTENDED USE

The machine is designed for the chiselling of wood. The machine is designed and constructed for use with attachments supplied by the manufacturer. The machine can only be used for dry applications without use of water.

### EC - DECLARATION OF CONFORMITY


Arbortech declares that the product PCH.FG.600.40 and PCH.FG.600.60 described in this manual under "Technical Specifications" are manufactured in compliance with EN 60745 standardised documents. These products and Technical File comply with the Directives 2006/42/EC, 2014/30/EU and 2011/65/EU.

The Technical File is located at: Arbortech PTY LTD, 67 Westchester Road, Malaga, WA, Australia, 6090

General Manager

### Technical Specifications

Voltage	230-240	V
Power Rating	710	W
Frequency	50	Hz
Protection Class	II	II
Rated Speed	2 000 – 11 000	rpm
Mounting Thread Size	M14	mm
Weight	2.0	kg
Vibration Emission (k=1.5)	4.4	m/s <sup>2</sup>
Sound Pressure Level	L <sub>PA</sub> = 89 K <sub>PA</sub> = 3	dB(A)
Sound Power Level	L <sub>WA</sub> = 100 K <sub>WA</sub> = 3	dB(A)


 **WARNING:** The declared vibration emission level represents the main applications of the tool. However if the

- a. **Use suitable detectors to determine if utility lines are hidden in the work area or call the local utility company for assistance.** Contact with electric lines can lead to fire and electric shock. Damaging a gas line can lead to explosion. Penetrating a water line causes property damage or may cause an electric shock.
- b. **Release the ON/OFF switch and set it to the off position when the power supply is interrupted** e.g. in case of a power failure or when the mains plug is pulled.
- c. **Do not touch chisels before they have cooled down.** The chisels can become very hot while working.
- d. **Secure the workpiece.** A workpiece clamped with clamping devices or in a vice is held more secure than by hand.

tool is used for different applications, with different accessories or insertion tools or is poorly maintained, the vibration emission may differ. This may significantly increase the exposure level over the total working period.


An estimation of the level of exposure to vibration should also take into account the times when the tool is switched off or when it is running but not actually doing the job. This may significantly reduce the exposure level over the total working period. Identify additional safety measures to protect the operator from the effects of vibration.

### ASSEMBLY

 **WARNING:** To reduce the risk of serious personal injury, turn the tool off and disconnect from the power source before making any adjustments or removing/installing tools or accessories. Use protective gloves when handling the chisels to prevent cuts and bruises.

- a. Inspect the Power Chisel to ensure that no damage has occurred during shipping. If damaged, report to the retailer immediately.
- b. The Power Chisel is packaged with spare chisels and an Oil bottle. Remove a chisel from the package, wipe off the protective coating and insert into the Chisel Arm (2,7) with the chisel bevel and the interlocking notch oriented as shown in Fig. C. When the chisel is aligned and inserted correctly, it will snap firmly into place.
- c. To remove the chisel, first press the Chisel locking button (3), then pull the chisel out of the arm as shown in Fig. C.
- d. Use the oil bottle supplied to add 2 to 3 drops of oil in the Oil Port (8) to lubricate the tool as shown in Fig. D.
- e. Apply 2 to 3 drops of oil from the supplied oil bottle to Oil Port (8) at 15-minute intervals of tool use, and before each initial use.

### OPERATION

 **WARNING:** The chisel shaft becomes very hot during prolonged use. Use protective gloves to handle chisels. Hold the chisels away from the cutting edge.

- a. **The electric motor has been designed for the voltage stated on the label.** Always check the power supply corresponds to the voltage marked on the motor.
- b. **Always wear correct safety clothing, including ear, eye protective gloves and lung protection.**
- c. **Follow local government safety regulations when working on materials treated with or containing toxic substances.**
- d. **Do not use this tool in wet conditions or in the presence of flammable liquids and gases.**
- e. **Check tool before using.** Test run the power tool with no load prior to use. Do not use damaged tools.
- f. **Apply lubricant oil the Power Chisel every 15 minutes of use.** As shown in Fig. D, apply lubricant from the Oil bottle into the oil port.
- g. **Do no exert excessive pressure.** The excessive pressure will overheat the chisel and the cam leading to premature failure.

### SWITCHING ON AND OFF

This power tool is equipped with lock-on switch. To start the power tool, push the On/Off Switch (5) forwards (Fig. B) then press it down at the front until it latches. To switch off the tool briefly push down the back of the On/Off Switch and release.

**⚠ WARNING:** The tool includes a restart prevention feature, which prevents uncontrolled restarting after an interruption to the power supply. To resume operation, switch the tool to the off position and start the machine again.

This power tool has variable speed control. Ensure an appropriate speed setting is selected for the application from the table below.

Speed Setting	Application
5 – 6	Chiselling of wood - general
4 – 5	Medium chiselling of wood like materials for unique applications
1 – 4	Lighter chiselling of wood like materials for detailed applications

Support and secure the workpiece to prevent movement and loss of control. Operate the tool using two hands for better control. Ensure the tool is running before contacting the work piece. Approach the workpiece with caution to avoid sudden hammering and gently push against it. If the applied pressure is too light, the chisel will not hammer. Hold the grinder at an angle of 25° as shown in Fig. E. Move the tool in the desired direction, keeping contact between the workpiece and the chisel.

**⚠ WARNING:** Do not use the chisels as a lever to break out wood.

### MAINTENANCE

**⚠ WARNING:** Before any adjustment, cleaning or maintenance work on the machine itself, disconnect from the power supply.

Inspect the Chisel Arm Base (7) is securely mounted. If loose, ensure the arm is fully inserted and seated correctly on the grinder then retighten the Clamping Bolt (6).

Inspect the accessories for damage and maintain them as specified in their user manual.

**For your safety and the reliability of this product, all electrical repair and maintenance of the internal parts, other than maintaining accessories and attachments, should be carried out by Arbortech authorised service centres.**

### CHISEL SHARPENING

Remove the chisel from the unit. Use conventional chisel sharpening methods. Maintain the angle on the cutting edge. Check the Arbortech website for detailed sharpening instructions.

### CLEANING THE AIR VENTS AND SWITCH

Regularly check to see if any dust or foreign matter has entered the air vents, or under the On/Off switch. If so, use a soft brush to remove any accumulated dust to clean the air vents and switch.

### INSPECTION AND WEAR

To inspect the tool for wear, insert a chisel into the chisel arm. Ensure that the chisel is firmly located and cannot move within the Chisel Arm. If the chisel has excessive side movement, internal guides may be worn and should be replaced by an Arbortech authorised service centre.

If the chiselling impact performance has decreased, inspect the chisel shaft for excessive wear or replace the chisel. If the chisel wear is acceptable, an internal cam may be worn and should be replaced by an Arbortech authorised service centre.

### OPTIONAL ACCESSORIES

To avoid the risk of injuries or damaging your tool, use only Arbortech recommended accessories and attachments. Consult your dealer for availability of optional accessories.

### POWER CHISEL ACCESSORIES

Spare Parts

PCH.FG.001/2/3/6/11/12/13 - Chisels /various profiles/

PCH.CO.CAM600 - Cam M14 x 1.5 thread pitch with Oil

PCH.CO.CAM600.20 - Cam 5/8 UNC thread pitch with Oil

PCH.FG.050 - Service Kit

PCH.FG.055 - Oil refill Pack





Arbortech Pty Ltd  
Address:  
67 Westchester Road  
Malaga, WA 6090 Australia

Email:  
[arbortech@arbortech.com.au](mailto:arbortech@arbortech.com.au)

Facebook:  
[www.facebook.com/ArbortechTools](http://www.facebook.com/ArbortechTools)