



POWER CHISEL

INSTRUCTION MANUAL

PCH.FG.600.20



*Double Insulation used throughout,
no provision for earthing.*

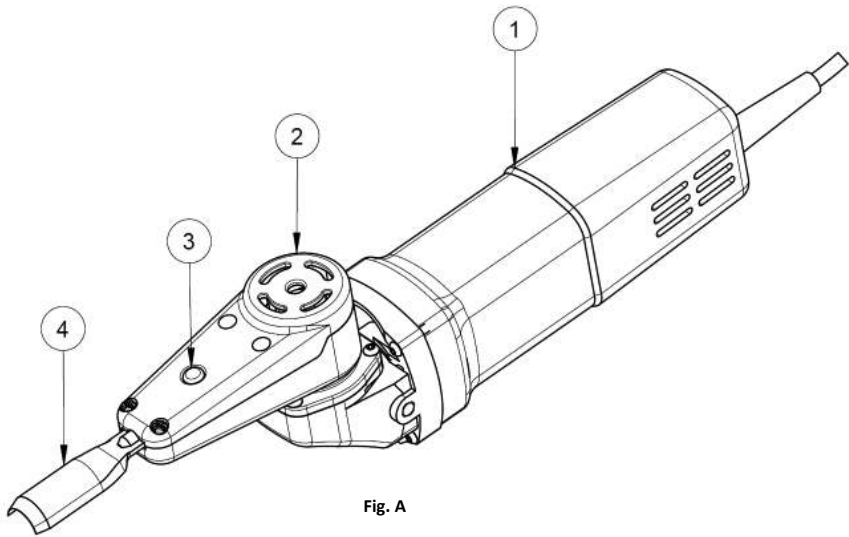


Fig. A

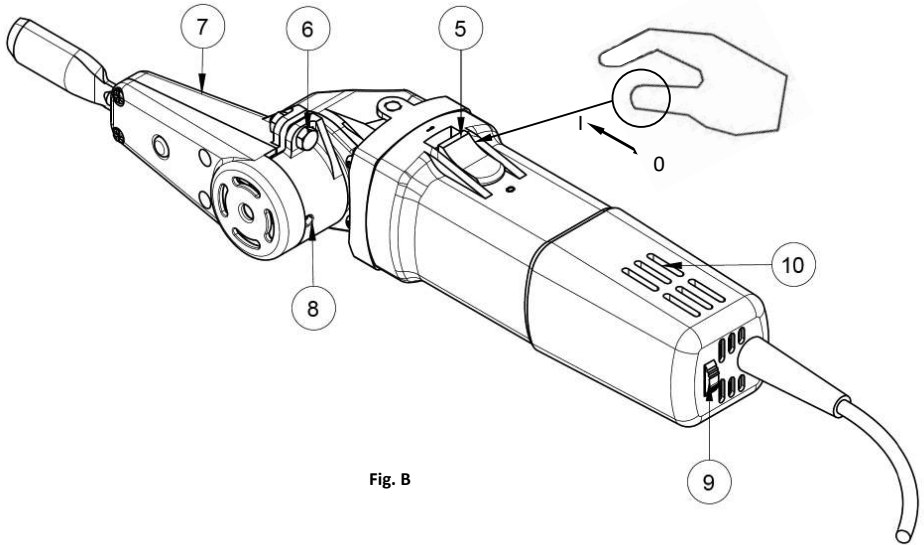


Fig. B

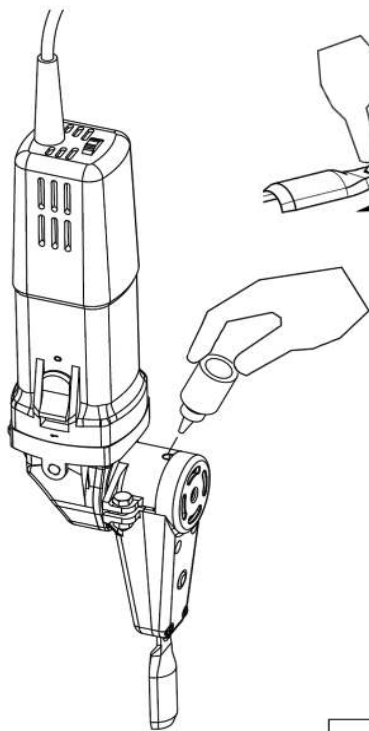


Fig. D

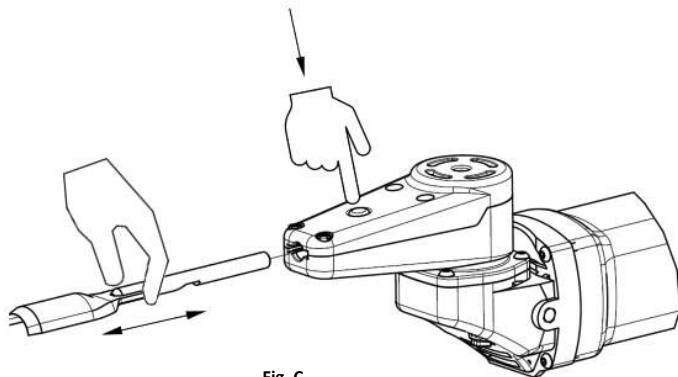


Fig. C

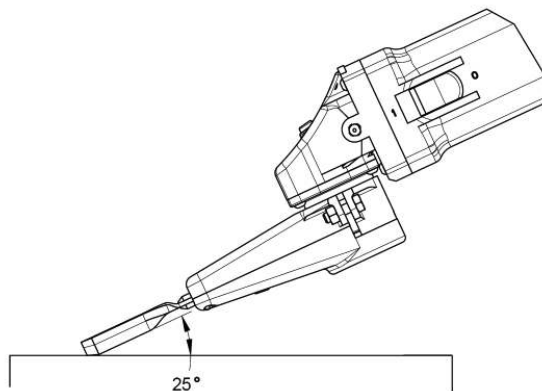


Fig. E

Components and features

Composants et fonctionnalités

Componentes y características

1	Angle Grinder Body <i>Meuleuse d'angle</i> <i>Cuerpo de la amoladora angular</i>	6	Clamping Bolt <i>Boulon de serrage</i> <i>Tornillo de Acoplamiento</i>
2	Chisel Arm Cover <i>Couverture de bras de burin</i> <i>Cubierta de brazo de cincel</i>	7	Chisel Arm Base <i>Base de bras de burin</i> <i>Base de brazo de cincel</i>
3	Chisel Locking Button <i>Bouton de verrouillage du burin</i> <i>Botón de bloqueo de cincel</i>	8	Oil Port <i>Port huile</i> <i>Puerto petrolero</i>
4	Chisel <i>Burin</i> <i>Cincel</i>	9	Speed Setting Dial <i>Cadran de réglage de la Vitesse</i> <i>Configuración de Velocidad</i>
5	On/Off Switch <i>Interrupteur Marche/Arrêt</i> <i>Interruptor On/Off de encendido y apagado</i>	10	Air Vent <i>Bouche d'aération</i> <i>Salida de aire</i>



GENERAL POWER TOOL

SAFETY WARNINGS

⚠ WARNING: Read all safety warnings, instructions, illustrations and specifications provided with this power tool. Failure to follow all instructions listed below may result in electric shock, fire and/or serious injury.

Save all warnings and instructions for future reference.

The term “power tool” in the warnings refers to your mains-operated (corded) power tool or battery operated (cordless) power tool.

1) WORK AREA SAFETY

- a. **Keep work area well ventilated, clean and well lit.** Cluttered or dark areas invite accidents.
- b. **Do not operate power tools in explosive atmospheres, such as in the presence of flammable liquids, gases or dust.** Power tools create sparks which may ignite the dust or fumes.
- c. **Keep children and bystanders away while operating a power tool.** Distractions can cause you to lose control.

2) ELECTRICAL SAFETY

- a. **Power tool plugs must match the outlet.** Never modify the plug in any way. Do not use any adapter plugs with earthed (grounded) power tools. Unmodified plugs and matching outlets will reduce the risk of electric shock.
- b. **Avoid body contact with earthed or grounded surfaces, such as pipes, radiators, ranges and refrigerators.** There is an increased risk of electric shock if your body is earthed or grounded.
- c. **Do not expose power tools to rain or wet conditions.** Water entering a power tool will increase the risk of electric shock.
- d. **Do not abuse the cord.** Never use the cord for carrying, pulling or unplugging the power tool. Keep cord away from heat, oil, sharp edges or moving parts. Damaged or entangled cords increase the risk of electric shock.
- e. **When operating a power tool outdoors, use an extension cord suitable for outdoor use.** Use of a cord suitable for outdoor use reduces the risk of electric shock.
- f. **If operating a power tool in a damp location is unavoidable, use a residual current device (RCD) protected supply.** Use of an RCD reduces the risk of electric shock.

3) PERSONAL SAFETY

- a. **Stay alert, watch what you are doing and use common sense when operating a power tool. Do not use a power tool while you are tired or under the influence of drugs, alcohol or medication.** A moment of inattention while operating power tools may result in serious personal injury.
- b. **Use personal protective equipment. Always wear eye protection.** Protective equipment such as a dusk mask, non-skid safety shoes, hard hat or hearing protection

used for appropriate conditions will reduce personal injuries.

- c. **Prevent unintentional starting. Ensure the switch is in the off position before connecting the tool to a power source and/or battery pack, picking up or carrying the tool.** Carrying power tools with your finger on the switch or energising power tools that have the switch on invites accidents.
- d. **Remove any adjusting key or wrench before turning the power tool on.** A wrench or key left attached to a rotating part of the power tool may result in personal injury.
- e. **Do not overreach. Keep proper footing and balance at all times.** This enables better control of the power tool in unexpected situations.
- f. **Dress properly. Do not wear loose clothing or jewellery. Keep your hair and clothing away from moving parts.** Loose clothes, jewellery or long hair can be caught in moving parts.
- g. **If devices are provided for the connection of dust extraction and collection facilities, ensure these are connected and properly used.** Use of dust collection can reduce dust related hazards.
- h. **Do not let familiarity gained from frequent use of tools allow you to become complacent and ignore tool safety principles.** A careless action can cause severe injuries within a fraction of a second.

4) POWER TOOL USE AND CARE

- a. **Do not force the power tool. Use the correct tool for your application.** The correct power tool will do the job better and safer at the rate for which it was designed.
- b. **Do not use the tool if the switch does not turn it on and off.** Any power tool that cannot be controlled with the switch is dangerous and must be repaired.
- c. **Disconnect the plug from the power source and/or remove the battery pack, if detachable, from the power tool before making any adjustments, changing accessories or storing power tools.** Such preventative safety measures reduce the risk of starting the power tool accidentally.
- d. **Store idle power tools out of the reach of children and do not allow persons unfamiliar with the power tool or these instructions to operate the power tool.** Power tools are dangerous in the hands of untrained users.
- e. **Maintain power tools and accessories. Check for misalignment or binding of moving parts, breakage of parts and any other condition that may affect the power tool's operation. If damaged, have the power tool repaired before use.** Many accidents are caused by poorly maintained power tools.
- f. **Keep cutting tools sharp and clean.** Properly maintained cutting tools with sharp edges are less likely to bind and are easier to control.
- g. **Use the power tool, accessories and tool bits etc. in accordance with these instructions, taking into account the working conditions and the work to be performed.** Use of the power tool for operations different from those intended could result in a hazardous situation.
- h. **Keep handles and grasping surfaces dry, clean and free from oil and grease.** Slippery handles and grasping

surfaces do not allow for safe handling and control of the tool in unexpected situations.

5) SERVICE

- a. **Have your power tool serviced by a qualified repair person using only identical replacement parts.** This will ensure that the safety of the power tool is maintained.

ADDITIONAL SAFETY WARNINGS



Wear hearing protection; Wear eye protection; Wear dust mask; Wear protective gloves.

PRODUCT DESCRIPTION AND SPECIFICATIONS



Read instruction manual before using the tool


Read all safety warnings and all instructions. Failure to follow the warnings and instructions may result in electric shock, fire and/or serious injury.

INTENDED USE

The machine is designed for the chiselling of wood. The machine is designed and constructed for use with attachments supplied by the manufacturer. The machine can only be used for dry applications without use of water.

Voltage	120	V
Power Rating	5.0	A
Frequency	60	Hz
Protection Class	II	II
Rated Speed	2 000 – 11 000	rpm
Mounting Thread Size	5/8"	inch
Weight	2.0	kg


ASSEMBLY

 **WARNING:** To reduce the risk of serious personal injury, turn the tool off and disconnect from the power source before making any adjustments or removing/installing tools or accessories. Use protective gloves when handling the chisels to prevent cuts and bruises.

- a. Inspect the Power Chisel to ensure that no damage has occurred during shipping. If damaged, report to the retailer immediately.
- b. The Power Chisel is packaged with spare chisels and an Oil bottle. Remove a chisel from the package, wipe off the protective coating and insert into the Chisel Arm (2,7) with the chisel bevel and the interlocking notch oriented as shown in Fig. C. When the chisel is aligned and inserted correctly, it will snap firmly into place.
- c. To remove the chisel, first press the Chisel locking button (3), then pull the chisel out of the arm as shown in Fig. C.
- d. Use the oil bottle supplied to add 2 to 3 drops of oil in the Oil Port (8) to lubricate the tool as shown in Fig. D.
- e. Apply 2 to 3 drops of oil from the supplied oil bottle to Oil Port (8) at 15-minute intervals of tool use, and before each initial use.

- a. **Use suitable detectors to determine if utility lines are hidden in the work area or call the local utility company for assistance.** Contact with electric lines can lead to fire and electric shock. Damaging a gas line can lead to explosion. Penetrating a water line causes property damage or may cause an electric shock.
- b. **Release the ON/OFF switch and set it to the off position when the power supply is interrupted** e.g. in case of a power failure or when the mains plug is pulled.
- c. **Do not touch chisels before they have cooled down.** The chisels can become very hot while working.
- d. **Secure the workpiece.** A workpiece clamped with clamping devices or in a vice is held more secure than by hand.


OPERATION

 **WARNING:** The chisel shaft becomes very hot during prolonged use. Use protective gloves to handle chisels. Hold the chisels away from the cutting edge.

- a. **The electric motor has been designed for the voltage stated on the label.** Always check the power supply corresponds to the voltage marked on the motor.
- b. **Always wear correct safety clothing, including ear, eye protective gloves and lung protection.**
- c. **Follow local government safety regulations when working on materials treated with or containing toxic substances.**
- d. **Do not use this tool in wet conditions or in the presence of flammable liquids and gases.**
- e. **Check tool before using.** Test run the power tool with no load prior to use. Do not use damaged tools.
- f. **Apply lubricant oil the Power Chisel every 15 minutes of use.** As shown in Fig. D, apply lubricant from the Oil bottle into the oil port.
- g. **Do no exert excessive pressure.** The excessive pressure will overheat the chisel and the cam leading to premature failure.

SWITCHING ON AND OFF

This power tool is equipped with lock-on switch. To start the power tool, push the On/Off Switch (5) forwards (Fig. B) then press it down at the front until it latches. To switch off the tool briefly push down the back of the On/Off Switch and release.

 **WARNING:** The tool includes a restart prevention feature, which prevents uncontrolled restarting after an interruption to the power supply. To resume operation, switch the tool to the off position and start the machine again.

This power tool has variable speed control. Ensure an appropriate speed setting is selected for the application from the table below.

Speed Setting	Application
5 – 6	Chiselling of wood - general
4 – 5	Medium chiselling of wood like materials for unique applications
1 – 4	Lighter chiselling of wood like materials for detailed applications

Support and secure the workpiece to prevent movement and loss of control. Operate the tool using two hands for better control. Ensure the tool is running before contacting the work piece. Approach the workpiece with caution to avoid sudden hammering and gently push against it. If the applied pressure is too light, the chisel will not hammer. Hold the grinder at an angle of 25° as shown in Fig. E. Move the tool in the desired direction, keeping contact between the workpiece and the chisel.

⚠ WARNING: Do not use the chisels as a lever to break out wood.

MAINTENANCE

⚠ WARNING: Before any adjustment, cleaning or maintenance work on the machine itself, disconnect from the power supply.

Inspect the Chisel Arm Base (7) is securely mounted. If loose, ensure the arm is fully inserted and seated correctly on the grinder then retighten the Clamping Bolt (6).

Inspect the accessories for damage and maintain them as specified in their user manual.

For your safety and the reliability of this product, all electrical repair and maintenance of the internal parts, other than maintaining accessories and attachments,

should be carried out by Arbortech authorised service centres.

CHISEL SHARPENING

Remove the chisel from the unit. Use conventional chisel sharpening methods. Maintain the angle on the cutting edge. Check the Arbortech website for detailed sharpening instructions.

CLEANING THE AIR VENTS AND SWITCH

Regularly check to see if any dust or foreign matter has entered the air vents, or under the On/Off switch. If so, use a soft brush to remove any accumulated dust to clean the air vents and switch.

INSPECTION AND WEAR

To inspect the tool for wear, insert a chisel into the chisel arm. Ensure that the chisel is firmly located and cannot move within the Chisel Arm. If the chisel has excessive side movement, internal guides may be worn and should be replaced by an Arbortech authorised service centre.

If the chiselling impact performance has decreased, inspect the chisel shaft for excessive wear or replace the chisel. If the chisel wear is acceptable, an internal cam may be worn and should be replaced by an Arbortech authorised service centre.

OPTIONAL ACCESSORIES

To avoid the risk of injuries or damaging your tool, use only Arbortech recommended accessories and attachments. Consult your dealer for availability of optional accessories.

POWER CHISEL ACCESSORIES

Spare Parts

- PCH.FG.001/2/3/6/11/12/13 - Chisels /various profiles/
- PCH.CO.CAM600 - Cam M14 x 1.5 thread pitch with Oil
- PCH.CO.CAM600.20 - Cam 5/8 UNC thread pitch with Oil
- PCH.FG.050 - Service Kit
- PCH.FG.055 - Oil refill Pack

CONSIGNES DE SÉCURITÉ GÉNÉRALES PROPRES AUX OUTILS ÉLECTRIQUES

⚠ AVERTISSEMENT : VEUILLEZ CONSULTER TOUTES LES ILLUSTRATIONS ET LIRE TOUTES LES INSTRUCTIONS, TOUTES LES SPÉCIFICATIONS ET TOUS LES AVERTISSEMENTS DE SÉCURITÉ FOURNIS AVEC CET OUTIL ÉLECTRIQUE. Tout manquement aux directives et consignes ci-inclus comporte des risques de décharges électriques, d'incendie et/ou de dommages corporels graves.

CONSERVER TOUTES CES DIRECTIVES ET CONSIGNES À TITRE DE RÉFÉRENCE

Le terme « outil électrique » mentionné dans les avertissements ci-après se rapporte aux outils alimentés sur secteur (avec fil) ou par piles (sans fil).

1) SÉCURITÉ – AIRE DE TRAVAIL

- a. **Maintenir l'aire de travail propre et bien éclairée.** Les lieux sombres ou encombrés sont propices aux accidents.
- b. **Ne pas utiliser un outil électrique dans un milieu déflagrant, comme en présence de liquides, gaz ou poussières inflammables.** Les outils électriques peuvent produire des étincelles qui pourraient enflammer toute émanation ou poussière ambiante.
- c. **Maintenir à l'écart les enfants, ou toute autre personne, lors de l'utilisation d'un outil électrique.** Toute distraction pourrait faire perdre la maîtrise de l'appareil.

2) SÉCURITÉ – ÉLECTRICITÉ

- a. **La fiche électrique de l'outil doit correspondre à la prise murale. Ne modifier la fiche en aucune façon. Ne pas utiliser de fiche d'adaptation avec un outil électrique mis à la terre (masse).** L'utilisation de fiches d'origine et de prises appropriées réduira tout risque de décharges électriques
- b. **Éviter tout contact corporel avec des éléments mis à la terre comme : tuyaux, radiateurs, cuisinières ou réfrigérateurs.** Les risques de décharges électriques augmentent lorsque le corps est mis à la terre.
- c. **Ne pas exposer les outils électriques à la pluie ou à l'humidité.** Tout contact d'un outil électrique avec un liquide augmente les risques de décharges électriques.
- d. **Ne pas utiliser le cordon de façon abusive. Ne jamais utiliser le cordon pour transporter, tirer ou débrancher un outil électrique. Protéger le cordon de toute source de chaleur, de l'huile, et de tout bord tranchant ou pièce mobile.** Les cordons endommagés ou emmêlés augmentent les risques de décharges électriques
- e. **En cas d'utilisation d'un outil électrique à l'extérieur, utiliser systématiquement une rallonge conçue à cet effet.** Cela diminuera tout risque de décharges électriques.

- f. **Si on ne peut éviter d'utiliser un outil électrique en milieu humide, utiliser un circuit protégé par un dispositif de courant résiduel (RCD).** Cela réduira tout risque de décharges électriques.

3) SÉCURITÉ INDIVIDUELLE

- a. **Rester systématiquement vigilant et faire preuve de jugement lorsqu'on utilise un outil électrique. Ne pas utiliser d'outil électrique en cas de fatigue ou sous l'influence de drogues, d'alcool ou de médicaments.** Tout moment d'inattention pendant l'utilisation d'un outil électrique comporte des risques de dommages corporels graves.
- b. **Porter un équipement de protection individuel. Porter systématiquement un dispositif de protection oculaire.** Le fait de porter un masque anti-poussières, des chaussures antidérapantes, un casque de sécurité ou un dispositif de protection auditive, lorsque la situation le requiert, réduira les risques de dommages corporels.
- c. **Prévenir tout démarrage accidentel. S'assurer que l'interrupteur est en position d'arrêt avant de brancher l'outil sur le secteur et/ou à la batterie, ou de le ramasser ou le transporter.** Transporter un outil le doigt sur l'interrupteur ou brancher un outil électrique alors que l'interrupteur est en position de marche invite les accidents.
- d. **Retirer toute clé de réglage avant de démarrer l'outil.** Une clé laissée sur une pièce rotative d'un outil électrique comporte des risques de dommages corporels.
- e. **Adopter une position stable. Maintenir les pieds bien ancrés au sol et conserver son équilibre en permanence.** Cela permettra de mieux maîtriser l'outil électrique en cas de situations imprévues.
- f. **Porter des vêtements appropriés. Ne porter aucun vêtement ample ou bijou.** Maintenir cheveux, vêtements et gants à l'écart des pièces mobiles, car ils pourraient s'y faire prendre.
- g. **Lorsqu'un dispositif de connexion à un système de dépoussiérage ou d'élimination est fourni, s'assurer qu'il est branché et utilisé correctement.** L'utilisation de ces dispositifs peut réduire les risques engendrés par les poussières.
- h. **Ne laissez pas la familiarité acquise avec l'utilisation des outils vous pousser à sous-estimer leur sécurité.** Une action négligente peut causer des blessures graves en une fraction de seconde.

4) UTILISATION ET ENTRETIEN DES OUTILS ÉLECTRIQUES


- a. **Ne pas forcer un outil électrique. Utiliser l'outil approprié au travail en cours. L'outil approprié effectuera un meilleur travail, de façon plus sûre et à la vitesse pour laquelle il a été conçu.**
- b. **Ne pas utiliser un outil électrique dont l'interrupteur est défectueux.** Tout appareil dont l'interrupteur est défectueux est dangereux et doit être réparé.
- c. **Débrancher la fiche du secteur et/ou la batterie de l'outil électrique avant d'effectuer tout réglage, de changer tout accessoire, ou avant de le ranger.** Ces mesures préventives réduiront tout risque de démarrage accidentel de l'appareil.

- d. **Après utilisation, ranger les outils électriques hors de portée des enfants et ne permettre à aucune personne non familière avec son fonctionnement (ou sa notice d'instructions) de l'utiliser.** Les outils peuvent être dangereux entre des mains inexpérimentées.
- e. **Entretien des outils électriques.** Vérifier les pièces mobiles pour s'assurer qu'elles sont bien alignées et tournent librement, qu'elles sont en bon état et ne sont affectées d'aucune condition susceptible de nuire au bon fonctionnement de l'outil. En cas de dommage, faire réparer l'outil électrique avant toute nouvelle utilisation. De nombreux accidents sont causés par des outils mal entretenus
- f. **Maintenir tout organe de coupe propre et bien affûté.** Les outils de coupe bien entretenus et affûtés sont moins susceptibles de se coincer et sont plus faciles à contrôler
- g. **Utiliser un outil électrique, ses accessoires, mâches, etc., conformément aux présentes directives et suivant la manière prévue pour ce type particulier d'outil électrique, en tenant compte des conditions de travail et de la tâche à effectuer.** L'utilisation d'un outil électrique à des fins autres que celles prévues est potentiellement dangereuse.
- h. **Gardez les poignées et les surfaces de préhension sèches, propres et exemptes d'huile et de graisse.** Les poignées glissantes et les surfaces de préhension ne permettent pas une manipulation et un contrôle sûrs de l'outil dans des situations imprévues.

5) RÉPARATION

- b. **Faire entretenir les outils électriques par un réparateur qualifié en n'utilisant que des pièces de rechange identiques.** Cela permettra de préserver l'intégrité de l'outil électrique et la sécurité de l'utilisateur.

DESCRIPTION DU PRODUIT ET SPÉCIFICATIONS


 **Lire ce mode d'emploi avant de l'utiliser** Veuillez lire tous les avertissements de sécurité et toutes les instructions. Ne pas respecter l'ensemble des avertissements et instructions pourrait entraîner une décharge électrique, un incendie et/ou de graves blessures.

UTILISATION PRÉVUE

La machine est conçue pour le ciselage du bois. La machine est conçue et fabriquée pour être utilisée avec les accessoires fournis par le fabricant. La machine ne peut être utilisée que pour des applications sèches sans utilisation d'eau.

Tension	120	V
Puissance nominale	5,0	A
Fréquence	60	Hz
Degré de protection	II	II
Vitesse nominale	2 000 - 11 000	tr/mn
Filetage de montage	5/8"	pouce
Poids	2,0	kg

MONTAGE

 **AVERTISSEMENT :** pour réduire les risques de blessures graves, éteignez l'outil et débranchez-le avant de procéder à des réglages ou de retirer / installer des outils ou des

AVERTISSEMENTS DE SÉCURITÉ SUPPLÉMENTAIRES



Portez une protection auditive, une protection oculaire, un masque anti-poussière et des gants de protection. Use suitable detectors to determine if utility lines are hidden in the work area or call the local utility company for assistance. Contact with electric lines can lead to fire and electric shock. Damaging a gas line can lead to explosion. Penetrating a water line causes property damage or may cause an electric shock.

- a. **Utilisez des détecteurs appropriés afin de déterminer si des lignes de gaz, d'eau ou autres sont cachées dans la zone de travail, ou appelez le fournisseur local concerné pour obtenir de l'aide.** Entrer en contact avec des lignes électriques peut entraîner un incendie ou une décharge électrique. Endommager une ligne de gaz peut provoquer une explosion. Pénétrer une ligne d'eau peut entraîner des dommages matériels ou une décharge électrique.
- b. **Relâchez l'interrupteur ON/OFF et mettez-le en position OFF si l'alimentation électrique est interrompue,** par exemple en cas de coupure d'électricité ou lorsque la prise secteur est débranchée.
- c. **Ne touchez pas les burins avant qu'ils ne soient refroidis.** Les burins peuvent devenir très chauds pendant qu'on les utilise .
- d. **Sécurisez la pièce de travail.** Une pièce de travail fixée avec des dispositifs de serrage sera maintenue de façon plus sécuritaire que si vous la maintenez en place à la main.

accessoires. Utiliser des gants de protection lors de la manipulation des burin pour éviter les coupures et les ecchymoses.

- a. Inspectez le burin électrique pour vous assurer qu'aucun dommage ne s'est produit pendant l'expédition. Si l'appareil a été endommagé, contactez immédiatement le détaillant.
- b. Le burin électrique est emballé avec des burins de rechange et une bouteille d'huile. Retirez un burin de l'emballage, essuyez le revêtement de protection et insérez-le dans le bras du burin (2,7) avec le biseau du burin et l'encoche de verrouillage orientée comme indiqué sur la figure C. Lorsque le burin est aligné et correctement inséré, il s'enclenche fermement .
- c. Pour retirer le burin, appuyez d'abord sur le bouton de verrouillage du burin (3), puis tirez le burin hors du bras comme indiqué sur la fig. C.
- d. Utilisez la bouteille d'huile fournie pour ajouter 2 à 3 gouttes d'huile dans le Port huile (8) afin de lubrifier l'outil, comme illustré à la Fig. D.
- e. Appliquez 2 à 3 gouttes d'huile de la bouteille d'huile fournie au Port huile (8) toutes les 15 minutes d'utilisation de l'outil, et avant chaque première utilisation.

FONCTIONNEMENT

⚠ AVERTISSEMENT: arbre du burin devient très chaud lors d'une utilisation prolongée. Utiliser des gants de protection pour manipuler les burins. Éloignez les burins du bord tranchant.

- Le moteur électrique a été conçu pour la tension indiquée sur l'étiquette.** Vérifiez toujours que l'alimentation correspond à la tension indiquée sur le moteur.
- Portez toujours des vêtements de sécurité appropriés, y compris un dispositif de protection des oreilles, des yeux et des poumons.**
- Respectez les réglementations municipales en matière de sécurité lorsque vous travaillez sur des matériaux traités avec des substances toxiques ou qui en contiennent.**
- N'utilisez pas cet outil dans des conditions humides ou en présence de liquides et de gaz inflammables.**
- Vérifiez l'outil avant de l'utiliser.** Testez l'outil électrique non branché avant de l'utiliser. N'utilisez pas d'outils endommagés.
- Appliquez de l'huile lubrifiante sur le burin électrique toutes les 15 minutes d'utilisation.** Comme indiqué à la Fig. D, appliquez le lubrifiant de la bouteille d'huile dans le Port huile.
- Ne pas exercer de pression excessive.** La pression excessive surchauffera le burin et la came et entraînera une défaillance prématurée.

"MARCHE/ARRÊT"

Cet outil électrique est équipé d'un interrupteur de verrouillage. Pour démarrer l'outil électrique, appuyez sur l'interrupteur Marche / Arrêt (5) vers l'avant (Fig. B), puis l'appuyez jusqu'à ce qu'il s'enclenche. Pour éteindre l'outil, appuyez brièvement sur le dos de l'interrupteur Marche / Arrêt et relâchez-le.

⚠ AVERTISSEMENT : l'outil comporte une fonction de prévention du redémarrage, qui empêche les redémarrages incontrôlés après une interruption de l'alimentation. Pour reprendre l'utilisation, mettez l'interrupteur en position d'arrêt, puis redémarrez la machine.

Cet outil électrique a une commande vitesse variable. Assurez-vous qu'un paramètre de vitesse approprié est sélectionné pour l'application dans le tableau ci-dessous.

Réglage de la vitesse	Application
5 – 6	Burinage du bois - général
4 – 5	Burinage moyen de matériaux similaires au bois pour des applications uniques
1 – 4	Burinage plus léger de matériaux similaires au bois pour des applications détaillées

Soutenez et fixez la pièce pour éviter tout mouvement et toute perte de contrôle. Utilisez l'outil à deux mains pour un meilleur contrôle. Assurez-vous que la machine est en marche avant de toucher la pièce à travailler. Approchez-vous de la pièce pour éviter tout martèlement soudain et poussez-la doucement contre elle. Si la pression appliquée est trop légère, le burin ne frappera pas. Tenez la meuleuse

à un angle de 25 °, comme indiqué sur la figure E. Déplacez l'outil dans le sens souhaité, en maintenant le contact entre la pièce et le burin.

⚠ AVERTISSEMENT: n'utilisez pas les burins comme un levier pour casser du bois..

MAINTENANCE

⚠ AVERTISSEMENT : avant toute opération de réglage, de nettoyage ou de maintenance de la machine, débranchez-la.

Vérifiez que la base du bras du burin (7) est solidement montée. Si le bras est desserré, assurez-vous que le bras est complètement inséré et correctement posé sur la meuleuse, puis resserrer le boulon de serrage (6).

Vérifiez que les accessoires ne sont pas endommagés et entreprenez-les selon les indications du manuel d'utilisation.

Pour votre sécurité et la fiabilité de ce produit, toutes les réparations électriques et la maintenance des pièces internes, autres que l'entretien des accessoires, doivent être effectuées par des centres Arbortech de service agréés.

AFFUTEMENT DU BURIN

Retirez le burin de l'unité. Utilisez les méthodes conventionnelles d'affûtage du burin. Maintenir l'angle sur le tranchant. Consultez le site Web Arbortech pour des instructions d'affûtage détaillées.

NETTOYAGE DES BOUCHES D'AÉRATION ET DE L'INTERRUPTEUR

Vérifiez régulièrement si de la poussière ou des corps étrangers ont pénétré dans les bouches d'aération ou sous l'interrupteur Marche / Arrêt. Dans ce cas, utilisez une brosse douce pour enlever toute la poussière accumulée afin de nettoyer les bouches d'aération et l'interrupteur.

INSPECTION ET USURE

Pour inspecter l'état d'usure de l'outil, insérez un burin dans son bras. Assurez-vous que le burin est bien placé et qu'il ne peut pas bouger dans le bras du burin. Si le burin a des mouvements latéraux excessifs, les guides internes peuvent s'user et doivent être remplacés dans un centre Arbortech de service agréé.

Si la performance d'impact du burin a diminué, vérifiez si la arbre du burin est trop usée ou remplacez-la. Si l'usure du burin est acceptable, une came interne peut s'user et doit être remplacée par un centre Arbortech de service autorisé.

ACCESSOIRES EN OPTION

Pour éviter tout risque de blessure ou de dégâts sur votre outil, utilisez uniquement des accessoires recommandés par Arbortech. Contactez votre revendeur pour connaître la disponibilité des accessoires en option

ACCESSOIRES DE BURIN ÉLECTRIQUE

Pièces de rechange

PCH.FG.001/2/3/6/11/12/13 - Burins / divers profils /

PCH.CO.CAM600 - Cam M14 x 1,5 pas de filetage avec huile

PCH.CO.CAM600.20 - Pas de filetage Cam 5/8 UNC avec huile

PCH.FG.050 - Kit de service

PCH.FG.055 - Pack de recharge d'huile

ADVERTENCIAS DE SEGURIDAD GENERALES PARA HERRAMIENTAS ELÉCTRICAS

⚠ ADVERTENCIA - LEA TODAS LAS ADVERTENCIAS DE SEGURIDAD, INSTRUCCIONES, ILUSTRACIONES Y ESPECIFICACIONES PROPORCIONADAS CON ESTA HERRAMIENTA ELÉCTRICA. El incumplimiento de las advertencias e instrucciones podría provocar una descarga eléctrica, un incendio y/o lesiones graves.

CONSERVE TODAS LAS ADVERTENCIAS E INSTRUCCIONES PARA FUTURAS CONSULTAS

El término "herramienta eléctrica" que aparece en las advertencias se refiere a la herramienta eléctrica que funciona a través de la red eléctrica (con cable) o a la herramienta eléctrica que funciona con batería (sin cable).

1) SEGURIDAD EN EL ÁREA DE TRABAJO

- a. **Mantenga el área de trabajo limpia y bien iluminada.** Las áreas en desorden u oscuras pueden provocar accidentes.
- b. **No utilice herramientas eléctricas en atmósferas explosivas, como ambientes donde haya polvo, gases o líquidos inflamables.** Las herramientas eléctricas originan chispas que pueden inflamar el polvo o los gases.
- c. **Mantenga alejados a los niños y a las personas que estén cerca mientras utiliza una herramienta eléctrica.** Las distracciones pueden ocasionar que pierda el control

2) SEGURIDAD ELÉCTRICA

- a. **Los enchufes de las herramientas eléctricas deben corresponderse con la toma de corriente.** No modifique nunca el enchufe de ninguna forma. No utilice ningún enchufe adaptador con herramientas eléctricas conectadas a tierra. Los enchufes no modificados y las tomas de corriente correspondientes reducirán el riesgo de descarga eléctrica.
- b. **Evite el contacto del cuerpo con superficies conectadas a tierra como tuberías, radiadores, cocinas económicas y frigoríficos.** Existe un mayor riesgo de descarga eléctrica si tiene el cuerpo conectado a tierra.
- c. **No exponga las herramientas eléctricas a la lluvia ni a condiciones húmedas.** Si entra agua a una herramienta eléctrica aumentará el riesgo de descarga eléctrica.
- d. **No someta el cable de alimentación a presión innecesaria. No use nunca el cable para transportar, tirar de la herramienta eléctrica o desenchufarla.** Mantenga el cable alejado del calor, aceite, bordes afilados y piezas en movimiento. Los cables dañados o enredados aumentan el riesgo de descarga eléctrica.
- e. **Cuando esté utilizando una herramienta eléctrica al aire libre, use un cable alargador adecuado para uso en exteriores.** La utilización de un cable adecuado para el uso en exteriores reduce el riesgo de descarga eléctrica.
- f. **Si no puede evitar utilizar una herramienta eléctrica en un lugar húmedo, use un suministro protegido con un dispositivo de corriente residual.** El uso de un

dispositivo de corriente residual reduce el riesgo de descarga eléctrica.

3) SEGURIDAD PERSONAL

- a. **Manténgase alerta, esté atento a lo que hace y use el sentido común cuando utilice una herramienta eléctrica.** No maneje una herramienta eléctrica cuando esté cansado o bajo los efectos de drogas, medicamentos o alcohol. Un momento de falta de atención cuando se manejan las herramientas eléctricas puede ocasionar lesiones personales graves.
- b. **Use un equipo protector personal. Utilice siempre protección ocular.** El uso del equipo protector como mascarillas antipolvo, calzado antideslizante, casco o protección auditiva para condiciones apropiadas reducirá las lesiones personales.
- c. **Evite la puesta en funcionamiento involuntaria. Asegúrese de que el interruptor esté en posición de apagado antes de conectar con la fuente de alimentación y/o la batería, de levantar o transportar la herramienta.** El transportar herramientas eléctricas con el dedo puesto en el interruptor o herramientas eléctricas activadoras que tengan el interruptor encendido puede provocar accidentes.
- d. **Saque toda llave de ajuste o llave inglesa antes de encender la herramienta eléctrica.** Una llave inglesa u otra llave que se deje puesta en una pieza en movimiento de la herramienta eléctrica pueden ocasionar lesiones personales.
- e. **No intente extender las manos demasiado. Mantenga un apoyo firme sobre el suelo y conserve el equilibrio en todo momento.** Esto permite un mejor control de la herramienta eléctrica en situaciones inesperadas.
- f. **Vístase debidamente. No se ponga ropa suelta o joyas.** Mantenga el pelo, la ropa y los guantes alejados de las piezas móviles. La ropa suelta, las joyas y el pelo largo pueden quedar atrapados en las piezas en movimiento.
- g. **Si se suministran dispositivos para la conexión del equipo de extracción y recogida de polvo, asegúrese de que estén conectados y de que se usen adecuadamente.** El uso de equipo de recogida de polvo puede reducir los riesgos relacionados con el polvo.
- h. **Evite que el conocimiento adquirido por el uso frecuente de herramientas le induzca a volverse complaciente e ignorar la seguridad de herramientas.** Una acción descuidada puede causar lesiones graves en fracciones de segundo.

4) USO Y CUIDADO DE LAS HERRAMIENTAS ELÉCTRICAS

- a. **No fuerce la herramienta eléctrica. Use la herramienta eléctrica correcta para su trabajo.** La herramienta eléctrica correcta funcionará mejor y con mayor seguridad si se utiliza de acuerdo con sus características técnicas.
- b. **No utilice la herramienta eléctrica si no puede encenderse y apagarse con el interruptor.** Toda herramienta eléctrica que no pueda controlarse con el interruptor es peligrosa y debe ser reparada.
- c. **Desconecte el enchufe de la fuente de alimentación y/o la batería de la herramienta eléctrica antes de realizar ajustes, cambiar accesorios o guardar las herramientas eléctricas.** Dichas medidas de seguridad

preventivas reducen el riesgo de poner en marcha la herramienta eléctrica accidentalmente.

- d. **Guarde las herramientas eléctricas que no estén utilizando fuera del alcance de los niños y no permita que utilicen la herramienta eléctrica las personas que no estén familiarizadas con ella o con estas instrucciones.** Las herramientas eléctricas son peligrosas en manos de personas no capacitadas.
- e. **Ocúpese del mantenimiento de las herramientas eléctricas. Compruebe si hay desalineación o bloqueo de las piezas en movimiento, rotura de piezas y otras condiciones que puedan afectar el funcionamiento de la herramienta eléctrica.** Si la herramienta eléctrica está dañada, llévela para que sea reparada antes de utilizarla. Se ocasionan muchos accidentes por el mal mantenimiento de las herramientas eléctricas.
- f. **Mantenga las herramientas para cortar afiladas y limpias.** Hay menos probabilidad de que las herramientas para cortar con bordes afilados se bloqueen y son más fáciles de controlar
- g. **Use la herramienta eléctrica, los accesorios y las brocas de la herramienta etc., conforme a estas instrucciones teniendo en cuenta las condiciones de trabajo y el trabajo que vaya a realizarse.** El uso de la herramienta eléctrica para operaciones que no sean las previstas puede ocasionar una situación peligrosa
- h. **Mantenga las asas y las superficies de agarre secas, limpias y exentas de aceite y grasa.** Las asas y superficies de agarre resbaladizas impiden un manejo y control seguros de la herramienta en situaciones inesperadas.

5) SERVICIO

- a. **Lleve su herramienta eléctrica para que sea reparada por una persona cualificada para realizar las**

DESCRIPCIÓN Y ESPECIFICACIONES DEL PRODUCTO



Lea el manual de instrucciones antes de usar la herramienta

Lea todas las advertencias de seguridad e instrucciones. La inobservancia de las advertencias e instrucciones puede provocar descargas eléctricas, incendios y/o lesiones graves. Autorización.

USO PREVISTO

La máquina está diseñada para el cincelado de madera. La máquina está diseñada y construida para su uso con accesorios suministrados por el fabricante. La máquina solo se puede utilizar para aplicaciones en superficies secas, sin uso de agua.

Voltaje	120	V
Potencia nominal	5.0	A
Frecuencia	60	Hz
Clase de protección	II	II
Velocidad nominal	2 000 - 11 000	rpm
Tamaño de la rosca de montaje	5/8"	pulg.
Peso	2.0	kg

MONTAJE

ADVERTENCIA: Para reducir el riesgo de lesiones personales graves, apague la herramienta y desconéctela de la fuente de alimentación antes de realizar ajustes o

reparaciones que use sólo piezas de recambio idénticas. Así se asegurará que se mantenga la seguridad de la herramienta eléctrica.

⚠️ ADVERTENCIAS DE SEGURIDAD ADICIONALES



Use protector de oídos, gafas y guantes de protección y mascarilla antipolvo.

- a. **Use detectores adecuados para determinar si existen conductos de servicio ocultos en el área de trabajo o llame a la empresa de servicios local para obtener ayuda.** El contacto con conductores eléctricos puede provocar incendios y descargas eléctricas. Los daños causados en conductos de gas pueden provocar explosiones. La perforación de un conducto de agua puede causar daños materiales o descargas eléctricas.
- b. **Suelte el interruptor de conexión/desconexión y póngalo en la posición de desconexión si la alimentación eléctrica está interrumpida, p. ej. en caso de fallo eléctrico o si se ha extraído el enchufe de alimentación.**
- c. **No toque los cinceles antes de que se hayan enfriado.** Los cinceles pueden calentarse mucho mientras se trabaja.
- d. **Proteja la pieza.** Una pieza sujeta con dispositivos de sujeción o en un tornillo de banco se mantiene más segura que con la mano.

quitar/installar herramientas o accesorios. Use guantes protectores cuando maneje los cinceles para evitar cortes y moretones.

- a. Inspeccione el Power Chisel para asegurarse de que no haya ocurrido ningún daño durante el envío. Si está dañado, informe al vendedor inmediatamente.
- b. El Power Chisel está empaquetado con cinceles de repuesto y una botella de aceite. Retire un cincel del paquete, limpie la capa protectora e insértela en el Brazo del Cincel (2,7) con el cincel biselado y la muesca de enclavamiento orientada como se muestra en la Fig. C. Cuando el cincel esté alineado e insertado correctamente, encaje firmemente en su lugar.
- c. Para quitar el cincel, primero presione el botón de bloqueo del cincel (3), luego retire el cincel del brazo como se muestra en la Fig. C.
- d. Use la botella de aceite suministrada para agregar de 2 a 3 gotas de aceite en el puerto de aceite (8) para lubricar la herramienta como se muestra en la Fig. D.
- e. Aplique de 2 a 3 gotas de aceite de la botella de aceite suministrada al puerto de aceite (8) a intervalos de 15 minutos de uso de la herramienta, y antes de cada uso inicial.

OPERACIÓN

⚠ ADVERTENCIA: El eje del cincel se calienta mucho durante el uso prolongado. Use guantes protectores para manejar los cinceles. Mantenga los cinceles alejados del borde de corte.

- El motor eléctrico ha sido diseñado para el voltaje indicado en la etiqueta.** Compruebe siempre que la fuente de alimentación corresponde al voltaje marcado en el motor.
- Siempre use la ropa de seguridad correcta, incluida la protección de oídos, ojos y pulmones.**
- Siga las normas de seguridad del gobierno local cuando trabaje con materiales tratados o que contengan sustancias tóxicas.**
- No utilice esta herramienta en condiciones húmedas o en presencia de líquidos y gases inflamables.**
- Revise la herramienta antes de usar.** Pruebe a ejecutar la herramienta eléctrica sin carga antes de usarla. No utilice herramientas dañadas
- Aplique aceite lubricante el Power Chisel cada 15 minutos de uso.** Como se muestra en la Fig. D, aplique lubricante de la botella de aceite en el puerto de aceite.
- No ejerza presión excesiva.** La presión excesiva sobrecalentará el cincel y la leva, lo que conducirá a un fallo prematuro.

ENCENDIDO Y APAGADO

Esta herramienta eléctrica está equipada con un interruptor de bloqueo. Para encender la herramienta eléctrica, presione el Interruptor de Encendido / Apagado (5) hacia adelante (Fig. B), luego presione hacia abajo en la parte delantera hasta que encaje. Para apagar la herramienta, presione brevemente la parte posterior del interruptor de encendido / apagado y suéltelo.

⚠ ADVERTENCIA: La herramienta incluye una función de prevención de reinicio, que evita el reinicio incontrolado después de una interrupción de la fuente de alimentación. Para reanudar la operación, coloque la herramienta en la posición de apagado y vuelva a encender la máquina.

Esta herramienta eléctrica tiene control de velocidad variable. Asegúrese de seleccionar la configuración de velocidad adecuada para la aplicación en la tabla a continuación.

Configuración de Velocidad	Aplicación
5 - 6	Cincel de madera - general
4 - 5	Cinceleado medio de materiales de madera para aplicaciones únicas.
1 - 4	Cinceles más ligeros de la madera como materiales para aplicaciones detalladas.

Sujete y asegure la pieza de trabajo para evitar el movimiento y la pérdida de control. Opere la herramienta con las dos manos para un mejor control. Asegúrese de que la máquina esté funcionando antes de entrar en contacto con la pieza de trabajo. Acérquese a la pieza de trabajo con precaución para evitar un agarre repentino y empuje suavemente contra ella. Si la presión aplicada es demasiado ligera, el cincel no martilla. Sostenga la amoladora en un

ángulo de 25° como se muestra en la Fig. E. Mueva la herramienta en la dirección deseada, manteniendo el contacto entre la pieza de trabajo y el cincel.

⚠ ADVERTENCIA: No use los cinceles como palanca para romper la madera.

MANTENIMIENTO

⚠ ADVERTENCIA: Antes de realizar cualquier ajuste, limpieza o mantenimiento en la máquina, desconéctela de la fuente de alimentación.

Inspeccione la base del brazo de cincel (7) esté montada de manera segura. Si está suelto, asegúrese de que el brazo esté completamente insertado y asentado correctamente en la amoladora, luego vuelva a apretar el perno de sujeción (6).

Inspeccione los accesorios en busca de daños y manténgalos como se especifica en su manual del usuario.

Para su seguridad y la confiabilidad de este producto, los centros de servicio autorizados de Arbortech deben realizar todas las reparaciones eléctricas y el mantenimiento de las piezas internas, excepto el mantenimiento de accesorios.

AFILADO DE CINCO

Retire el cincel de la unidad. Utilice métodos convencionales de afilado de cincel. Mantener el ángulo en el filo. Consulte el sitio web de Arbortech para obtener instrucciones detalladas de afilado.

LIMPIEZA DE LAS SALIDAS DE AIRE Y EL INTERRUPTOR

Verifique regularmente si ha entrado polvo o material extraño en las rejillas de ventilación, o debajo del interruptor de encendido / apagado. Si es así, use un cepillo suave para eliminar el polvo acumulado para limpiar las salidas de aire y el interruptor.

INSPECCIÓN Y DESGASTE

Para inspeccionar el desgaste de la herramienta, inserte un cincel en el brazo del cincel. Asegúrese de que el cincel esté firmemente ubicado y no pueda moverse dentro del Brazo de Cincel. Si el cincel tiene un movimiento lateral excesivo, las guías internas pueden usarse y deben ser reemplazadas por un centro de servicio autorizado de Arbortech.

Si el rendimiento del impacto del cincelado ha disminuido, inspeccione la eje del cincel en busca de desgaste excesivo o reemplace el cincel. Si el desgaste del cincel es aceptable, se puede usar una leva interna y debe ser reemplazada por un centro de servicio autorizado de Arbortech.

ACCESORIOS OPCIONALES

Para evitar el riesgo de lesiones o daños a su herramienta, use solo los accesorios recomendados por Arbortech. Consulte a su distribuidor la disponibilidad de accesorios opcionales.

ACCESORIOS POWER CHISEL

Piezas de repuesto

PCH.FG.001/2/3/6/11/12/13 - Cinceles / varios perfiles /

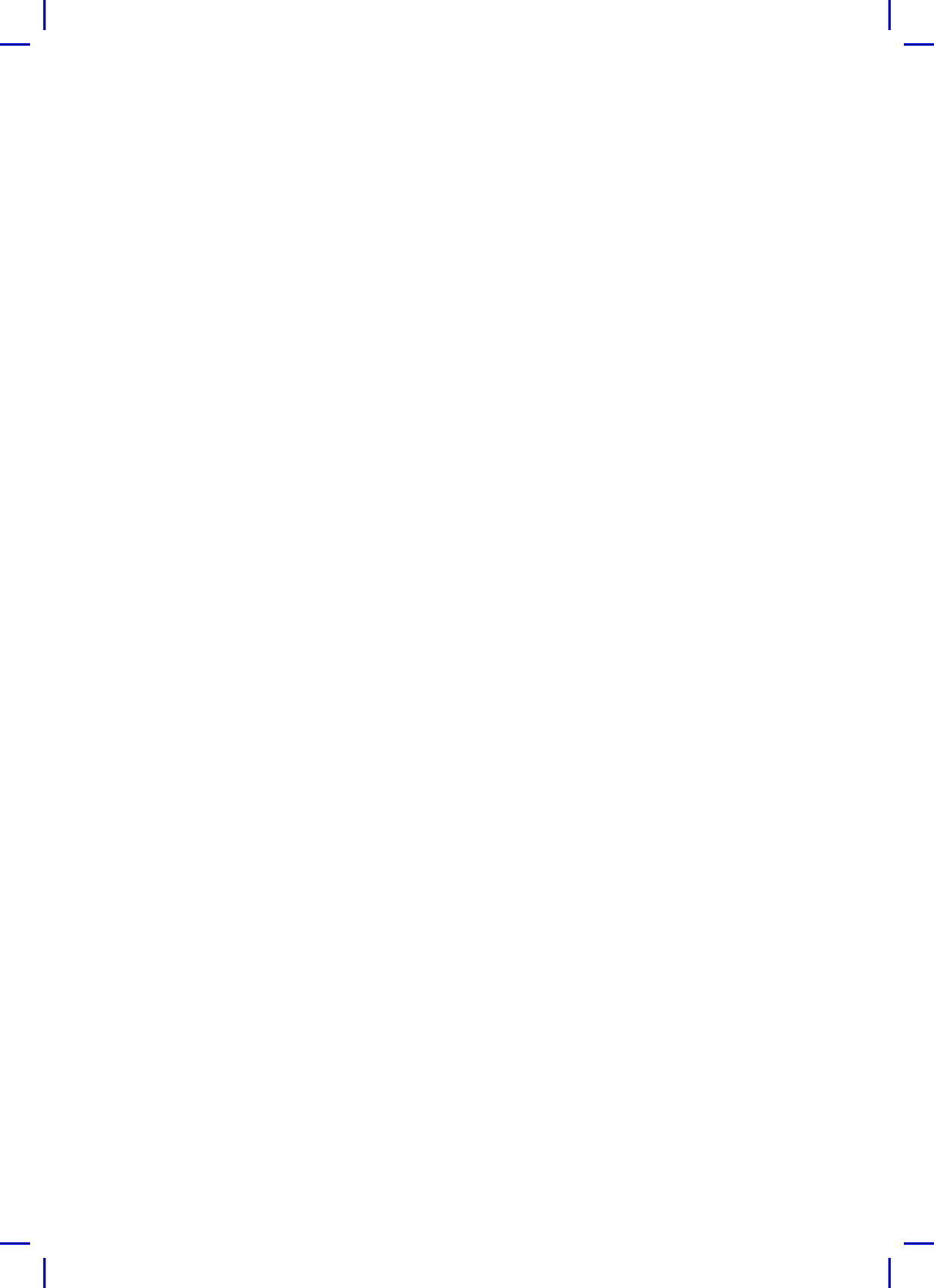
PCH.CO.CAM600 - Paso de rosca de leva M14 x 1.5 con aceite

PCH.CO.CAM600.20 - Paso de rosca de leva 5/8 UNC con aceite

PCH.FG.050 - Kit de servicio

PCH.FG.055 - Paquete de recarga de aceit







ARBORTECH™

www.arbortechtools.com

Arbortech Pty Ltd
Address:
67 Westchester Road
Malaga, WA 6090 Australia

U.S.A. -Tollfree: 866-517-7869
U.S.A Office: 978-466-7945 U.S.A Fax: 866-515-8104

Email:
arbortech@arbortech.com.au

Facebook:
www.facebook.com/ArbortechTools